

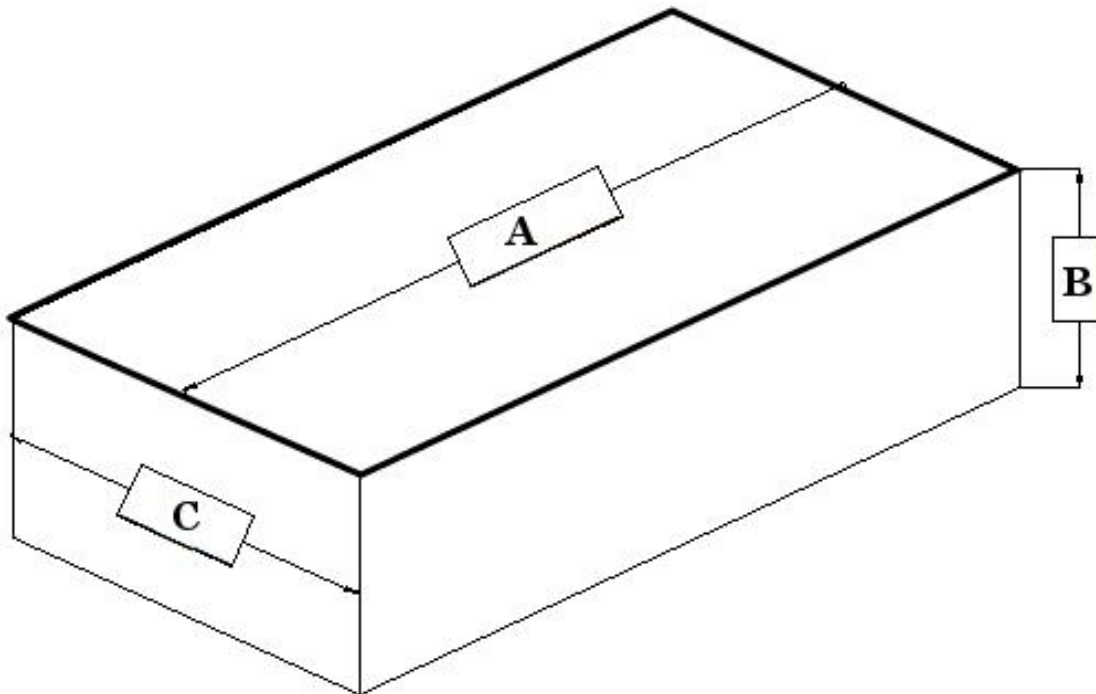
QUOTE

ORDER

Cistern Rectangle Measurement Template

Dealer	Date
Address	City/Postal
Telephone	Fax/Email
Date Required	Tag Name

Liner Size		
Length A	ft	inch
Height B	ft	inch
Width C	ft	inch
Overlap	ft	inch
Bead	Regular	
Bead Colour	White	
Colour/Pattern	White Food Grade	



Please Indicate Preferred Wall Seam Location
Please Print ALL Measurements Clearly in the Dimension Boxes Provided