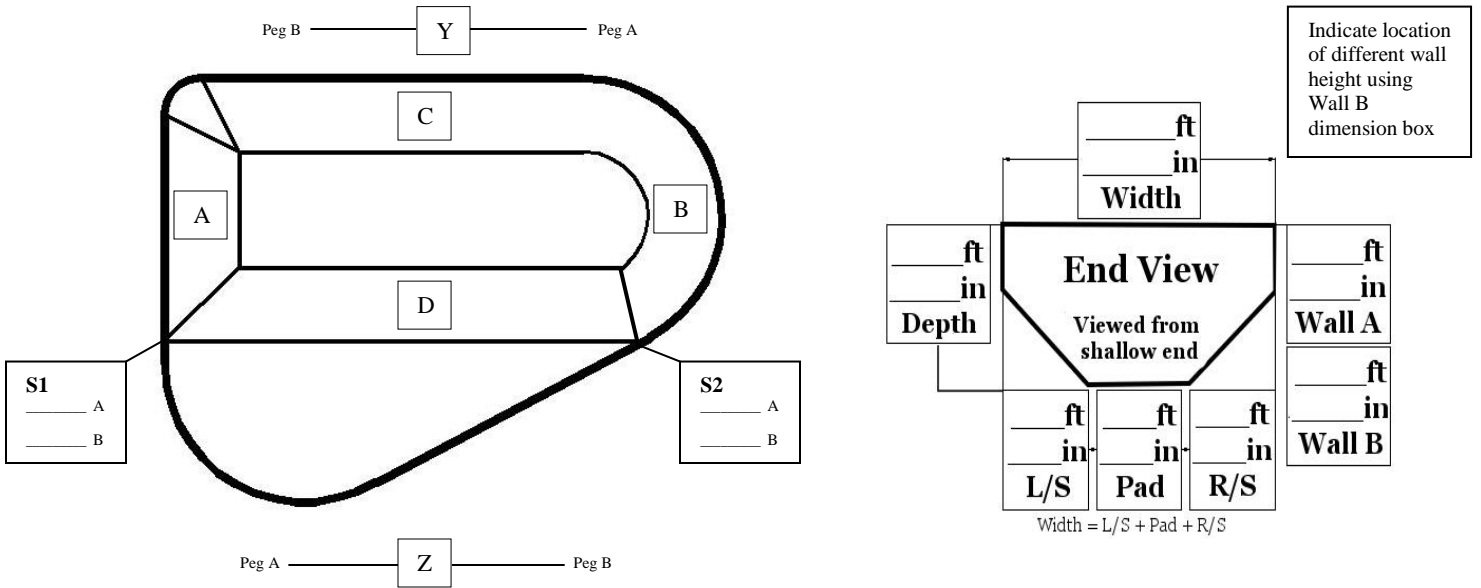


## DIAMOND Measurement Template

QUOTE       ORDER

Dealer				Date			
Address				City/Postal			
Telephone				Fax/Email			
Date Required				Tag Name			
<b>30 Mil Floor Pattern</b>				<b>30 Mil Wall Pattern</b>			
Slope Length <b>A</b>	ft	inch	Safety Ledge Deep End	Yes	No	ft	inch
Slope Length <b>B</b>	ft	inch	Side Safety Ledge L/S	Yes	No	ft	inch
Slope Length <b>C</b>	ft	inch	Side Safety Ledge R/S	ft	inch	ft	inch
Slope Length <b>D</b>	ft	inch	AB Peg Distance <b>Y</b>	ft		AB Peg Distance <b>Z</b>	ft
				ft		inch	
Perimeter				ft		inch	



PT	A	B	PT	A	B	PT	A	B	PT	A	B	PT	A	B
1*			8			15			22			29		
2*			9			16			23			30		
3*			10			17			24			31		
4*			11			18			25			32		
5*			12			19			26			33		
6*			13			20			27			34		
7*			14			21			28			35		

**Please Indicate Preferred Wall Seam Location**

**Bead Colour**    WHITE     BLUE     GREY

**IF BEAD COLOUR IS NOT SPECIFIED WHITE BEAD WILL BE USED**